

Speed Dome Keyboard Controller Users Manual

(English Version)

-V1.0

Please read the manual carefully before using the product
(Proclaim: the manual is subject to change without notice)

Catolog and Cautions

- 1、 Keyboard controller overview.....2
- 2、 Keyboard contoller functions and parameters.....2
- 3、 Introductions.....2
- 4、 Menu setting.....2
- 5、 Keyboard operation.....3
- 6、 Installation and connection.....4
- 7、 Technical specification.....5
- 8、 Cautions.....5

1.Keyboard overview :

Keyboard controller is a auxiliary product to the terminal receiver of variable speed intelligent dome,decoder and so on. Adopt EIA/RS-485 electronic port between the control keyboard and receiver. One keyboard controller can maximumly control 256 speed domes or decoders without adding the number of bus drivers and the maximum communication distance is up to 1.2Km. It is convenient to control and set the variable speed cameras via control keyboard. Also the control keyboard can directly control terminal decoder and achieve the control to front-end devices, such as camera, PTZ, len, light,windscreen wiper and so on.

2.Keyboard functions and parameters:

1. English LCD
- 2.The proportional joystick(2D and 3D optional) control the PTZ overall and the 3D proportional joystick is easy to control the cameras'zoom.
- 3.Set the address range of dome camera or decoder: 0-255. Each camera address can set separate protocol and baud rate.
- 4.Control the various functions of dome cameras, such as BLC on/off, preset point parameters, touring group, guard setting, menu operation and so on.
- 5.Variable speed operation and speed smoothness of intelligent dome camera
- 6.Manually or automatically control dome camera and modify the setting after delivery to specific camera via camera menu.
7. Manually control the camera's zoom and iris.
8. Set various function in menu.
9. Built-in buzzer and decide whether the operation is effective or not via hearing the voice from the desk..
10. Keyboard password locking function. The coded lock can set on/off and manual/auto.
11. Power: DC12V/500mA.
12. Communication protocols: PEL-D, PEL-P, TopHiD1, TopHiP1, TopHiD2 and TopHiP2.
13. Communication baud rate: 1200 Bit/S, 2400 Bit/S, 4800 Bit/S, 9600Bit/S, 19200Bit/S and 38400Bit/S.

3. Introductions

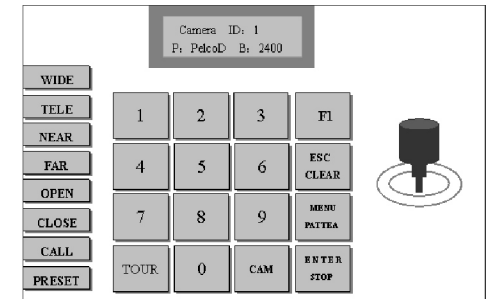
3.1. Front panel outline and instructions to keys

There are variable speed zoom control joystick, keys and LCD on the front panel. The LCD will show the informations of current camera number, current baud rate of communication protocol, current keyboard menu display setting and so on. Joystick control PTZ to do the variable speed movement of upward, downward, leftward or rightward and camera'zoom.

The key instructions is as following:

[TELE] Zoom in
 [WIDE] Zoom out
 [NEAR] Focus near
 [FAR] Focus far
 [OPEN] Increase aperture
 [CLOSE] Decrease aperature
 [CALL] Calling key
 [PRESET] Setting key

[0]-[9] Number keys
 [MENU/PATTEAN] Auxiliary function keys
 [F1] Special function key
 [ESC/CLEAR] Clear keys
 [TOUR] Cruising scan key
 [CAM] Address setting key
 [STOP/ENTER] Enter key



3.2. Instructions to the side panel

A: DC12V power input port DC12V+



B: RS485 signal transmission port, insert accessory RJ45 line in packing chest.

4. Menu setting

When the LCD shows Camera ID: 1, P: PelcoD, B: 1200, press [MENU/PATTEAN] to enter into the keyboard menu to

set related parameters. The default menu password is 9999, the menu setting is divided into 4 besels. Enter into keyboard menu and move the joystick downward to select each besel content.

4.1. The first besel content: set communication protocols and baud rate

4.1.1 Protocol setting

Press number 1 to enter into protocol setting.

1 Pelco-D	5 TopHiD2
2 Pelco-P	6 TopHiP2
3 TopHiD1	
4 TopHiP1	

(Fig1)

1 Set Current Pr
2 Set All Pr
3 Set one add Pr

1 Protocol	Set
2 Baud rate	Set

- ⇒ Settings for current camera address
- ⇒ Settings for all cameras address
- ⇒ Settings for inputed cameras address

Cautions:
 1. The laymen don't operate the keyboard controller and please read the manual carefully before operating it.
 2. The inside of keyboard is the precision electronic components, no crush or s strong shock.
 3. Please don't tear down the components in the keyboard by yourself
 4. The keyboard controller should be work in specified range of temperature and humidity.

Set protocol: press each corresponding number key and the screen will show a frame prompt like figure 1 (make the setting apply to all cameras address and current camera address). Then select via pressing number 1, 2 or 3. After select 1 or 2, the system will automatically save and return to the previous menu. If select 3, please input camera address for settings and press ENTER to confirm, system will automatically save and return to the previous menu. You can continue to set or press ESC to exit the system menu.

4.1.2. Baud rate setting

Press number 2 to enter into baud rate setting.

- 1 1200bps
- 2 2400bps
- 3 4800bps
- 4 9600bps
- 5 19200bps
- 6 38400bps

- 1 Set Current Br Settings for current camera address
- 2 Set All Br Settings for all cameras address
- 3 Set one add Br Settings for inputted cameras address

(Fig2)

Baud rate setting: press each corresponding number keys and the screen will show a frame prompt like figure 2 (make the setting apply to all cameras address and current camera address). Then select via pressing number 1, 2 or 3. After select 1 or 2, the system will automatically save and return to the previous menu. If select 3, please input camera address for settings and press ENTER to confirm, system will automatically save and return to the previous menu. You can continue to set or press ESC to exit the system menu.

4.2. The second besel content: cruising track setting and backlight on/off setting

- 3 Tour Edit Input tour NO . 1
- 4 Backlight Set 1 Backlight on 2 Backlight off

4.2.1. Cruising track setting

Press number 3 to enter into cruising track setting. The below are the steps:

- Input tour NO . 1 Input cruising track number(1-6) via presing number keys, then press ENTER to confirm and edit.
- T: 1 S: 00 P: 1 T: the current editing is the first cruising track S: the speed waits to set P: which position, move the joystick upward or downward to select(1-16).
- P: 000 Sp: 00 T: P: select the corresponding preset point of every position(1-255) and then directly press number keys to input preset point number Sp: speed setting (1-9), directly press number keys to input speed T: staying time setting (1-99), directly press number keys to input the time.

After editing, move the joystick downward to select the next editing position(16 editing positions), or press ESC to save and return to the previous menu. Then press ESC to exit system.

4.2.2. Backlight on/off setting

Press number 4 to enter into backlight on/off setting.

- 1 Backlight on Press number 1 to enable backlight
- 2 Backlight off Press number 2 to disable backlight

After the setting finished, the system will automatically save and return to the previous menu. Then press ESC to exit the system menu.

4.3. The third besel content: sound and keylock setting

- 5 Sound Set 1 Backlight on 2 Backlight off
- 6 K Password set Password: ----

4.3.1. Sound setting

Press number 5 to enter into sound setting

- 1 Backlight on Press number 1 to turn the sound on
- 2 Backlight off Press number 2 to turn the sound down

After the setting finished, the system will automatically save and return to the previous menu. Then press ESC to exit the system menu.

4.3.2. Keyboard coded lock setting

Press number 6 to enter into keyboard coded lock setting, input the system password 6666, then press ENTER to confirm.

- Password: ---- 1 Password ON Press number 1 to enable the coded lock function
- 2 Password OFF Press number 2 to disable the coded lock function
- 3 NewPasswordSet Press number 3 to set new password(4 bit)

Note: When enable the coded lock function, the system will automatically lock the keyboard if not accept any command after 6 seconds, or press F1 for 3 seconds to lock the keyboard.

After the setting finished, the system will automatically save and return to the previous menu. Then press ESC to exit the system menu

4.4. The 4th besel content: menu password

7 M password set

Press number 7 to enter into menu password setting, input the system password 9999, then press ENTER to confirm.

- Password: 9999 1 Password ON Press number 1 to enable the coded lock function
- 2 Password OFF Press number 2 to disable the coded lock function
- 3 NewPasswordSet Press number 3 to set new password(4 bit)

5. Keyboard operation

5.1. Select1 dome speed or decoder: [N]+[CAM]

Instructions: N ----camera number, range: 0 ~ 255
Function: Select camera address to be controlled. When the N values match to the camera address, the dome speed can be controlled.

5.2. Set preset point: [N]+[PRESET]

Instructions: N----preset point number, range: 1~255
Functions: Save the current position and make it as the N number position.

5.3. Call preset point: [N]+ [CALL]

Instructions: N----preset point number, range: 1~255
Functions: Switch the camera to the N number position of preset position.

5.4. Clet preset point: [PRESET]+[N]+[CLEAR]

Instructions: N----preset point number, range: 1~255
Functions: Clear the N number preset point which has been saved.

5.5. Run cruising track: [N]+ [TOUR]

Instructions: N----preset point number, range: 1~6
Functions: Run the N track and move the joystick to stop the track running.

5.6. Run pattern scanning: [N]+ [PATTEAN]

Instructions: N----preset point number, range: 1~4
Functions: Run the N pattern scanning track and move the joystick to stop the track running.

5.7. Zoom in: [TELE] or move the joystick clockwise

5.8. Zoom out: [WIDE] or move the joystick widdershins

5.9. Fcous far: [NEAR]

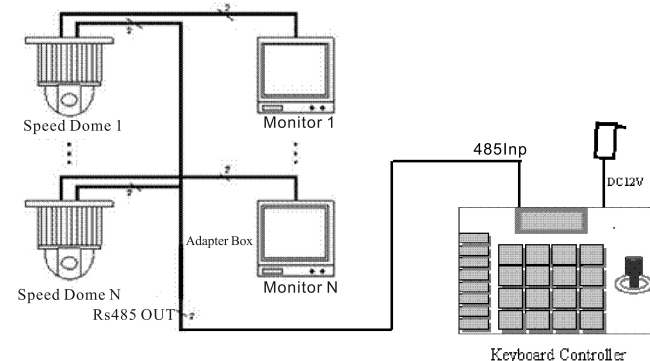
5.10. Fcous near: [FAR]

5.11. Increase aperture: [OPEN]

5.12. Decrease aperture: [CLOSE]

6. Installation and connection

Note: Please carefully read the manuals of keyboard and high speed dome before connection. Any incorrect correction will cause the perpetual destory to the device. Please make sure the power is cut off when connect the devices. The connection among the devices must use the twisted-pair cable with masking. When mount the cables, please avoid the high voltage line or any other interfering lines as soon as possible. System diagram in which the keyboard controls several dome cameras is as following.



7. Tec

Power	DC12V 500mA/50-60Hz
Working environment	Temperature: -10-55℃ humidity: =90% (non-condensing)
Communication method	RS485 point to multipoint semiduplex communication
Baud rate	1200bps、2400bps、4800bps、9600bps、19200bps、38400bps
Transmission distance(max)	1200 meters
Weight	0.65 KG
Dimension	200*140*57 (mm)
Number	Max 256 sets
Side panel	RJ45 port (connect RS485 line) , DC12V port

8. Cautions

- * Please read this manual carefully before operating the keyboard.
- * The keyboard uses 12V direct current supply. Befor using, please make sure the power amplitude and polarity correct.
- * Don't place the keyboard under the watery environment to avoid short circuit or electric shock.
- * Don't unfold the keyboard housing as one wishes.
- * Please select correct protocol and bauc rate.